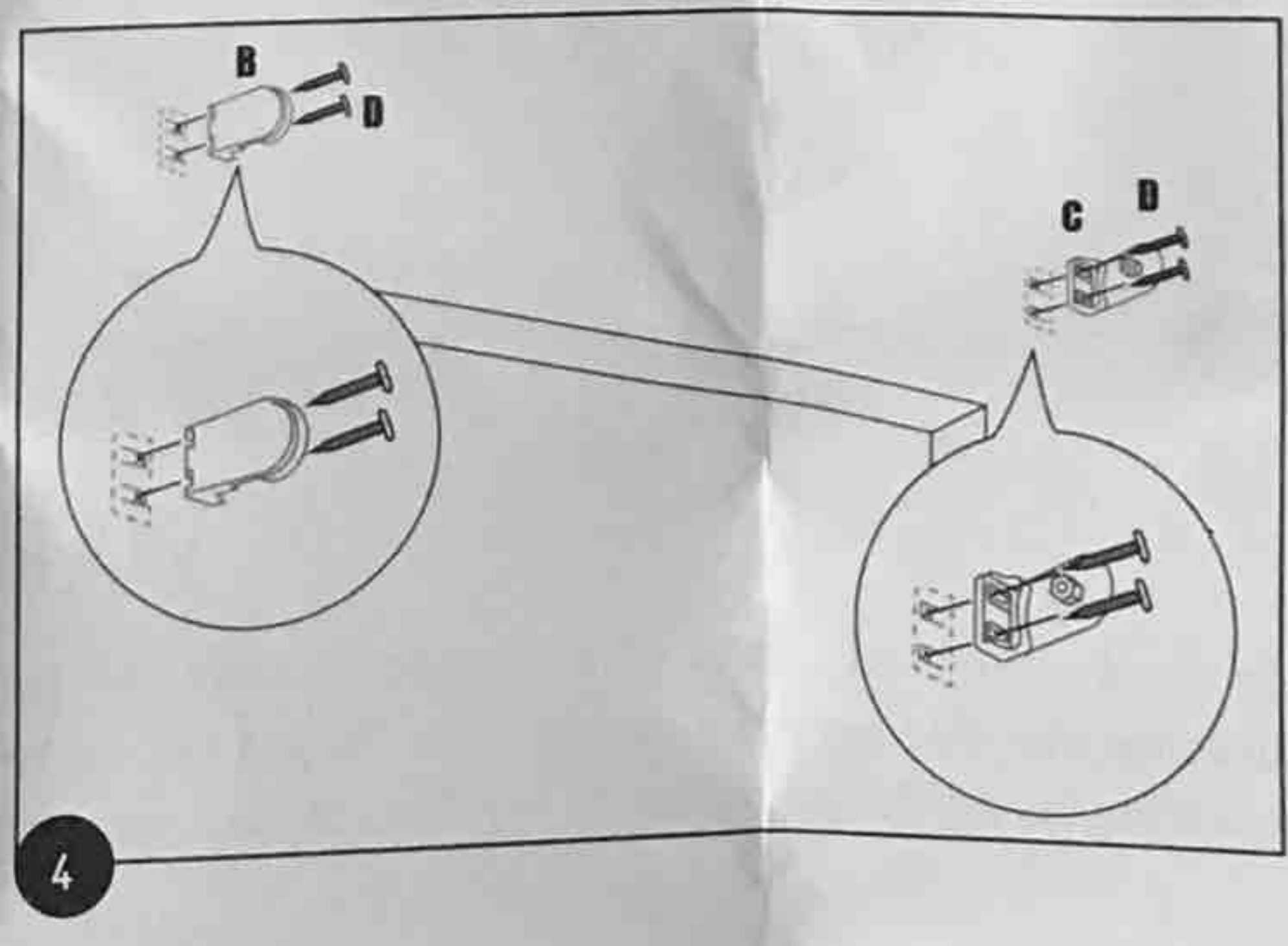
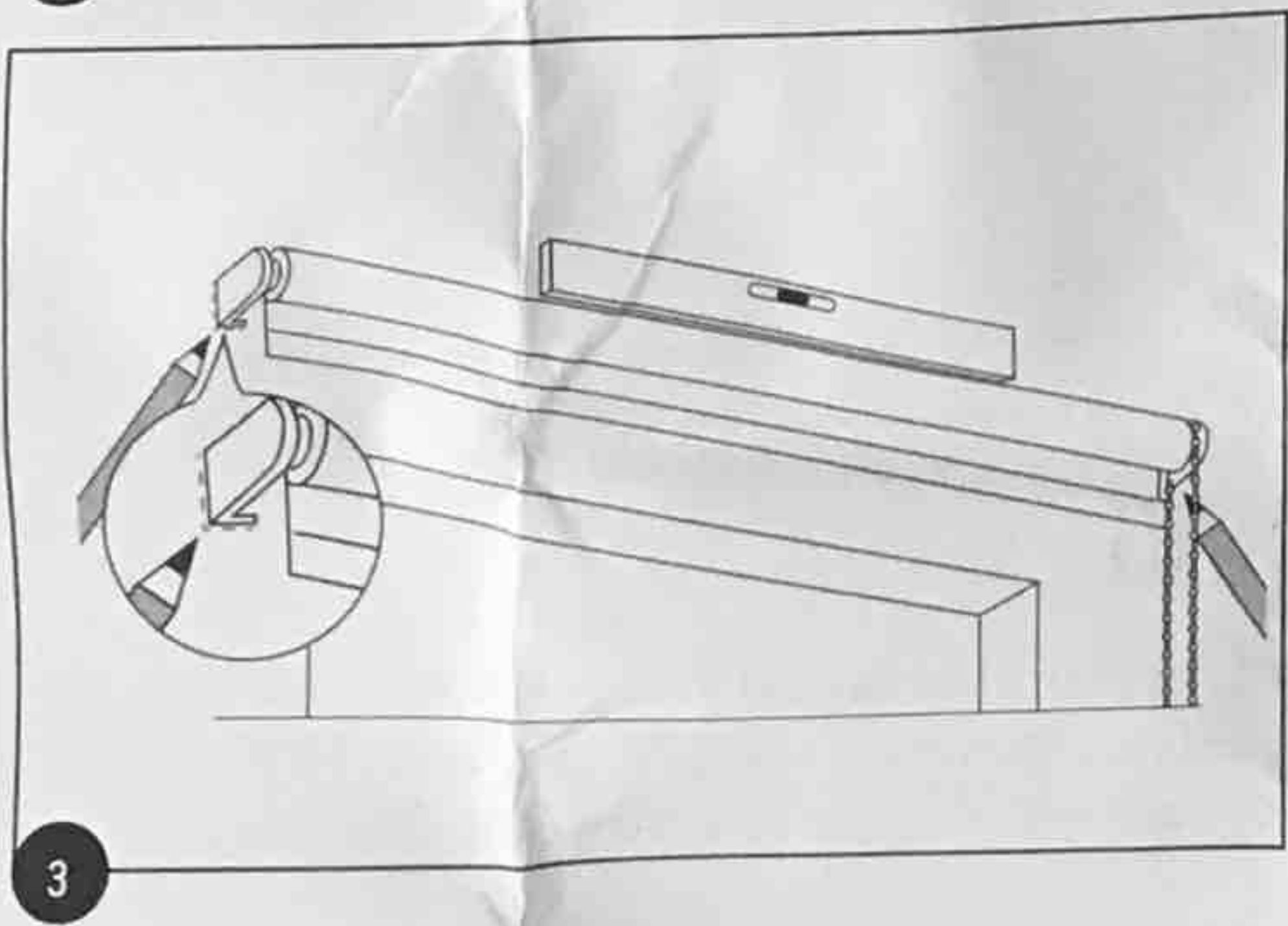
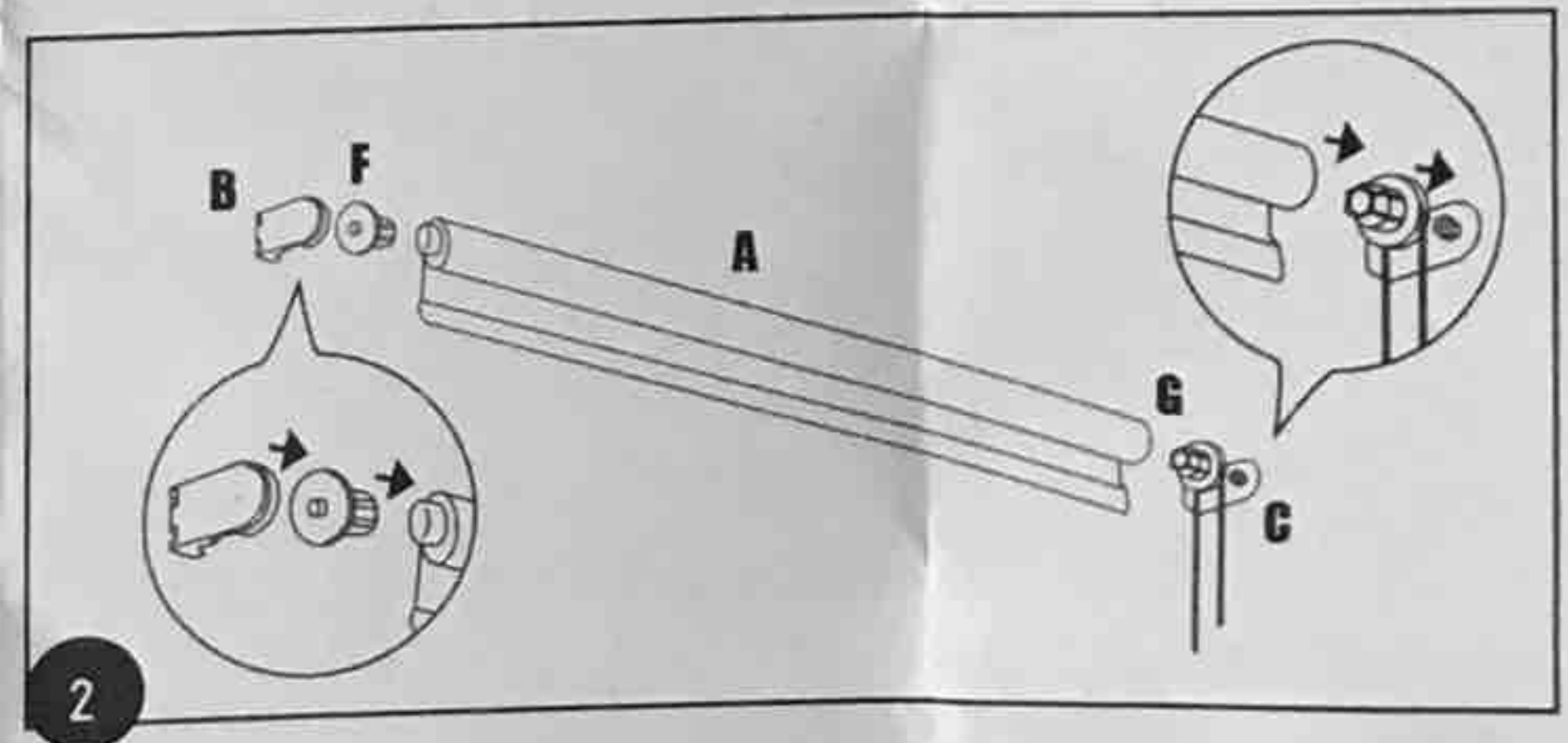
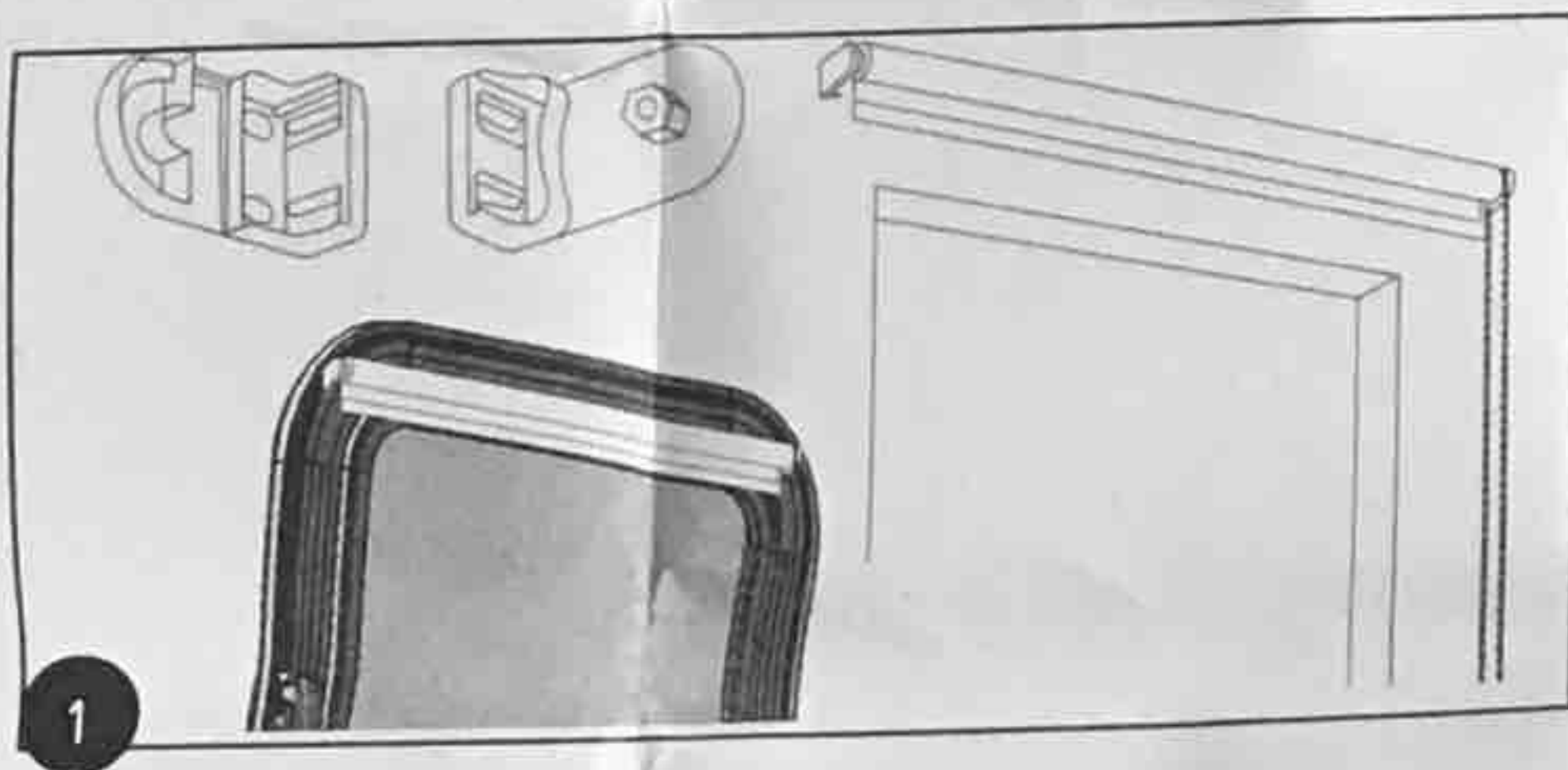
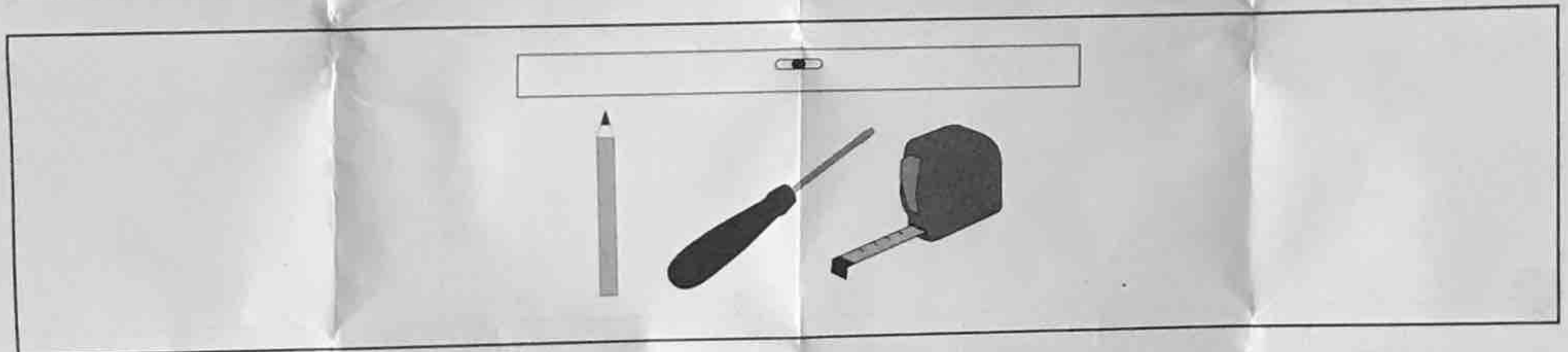
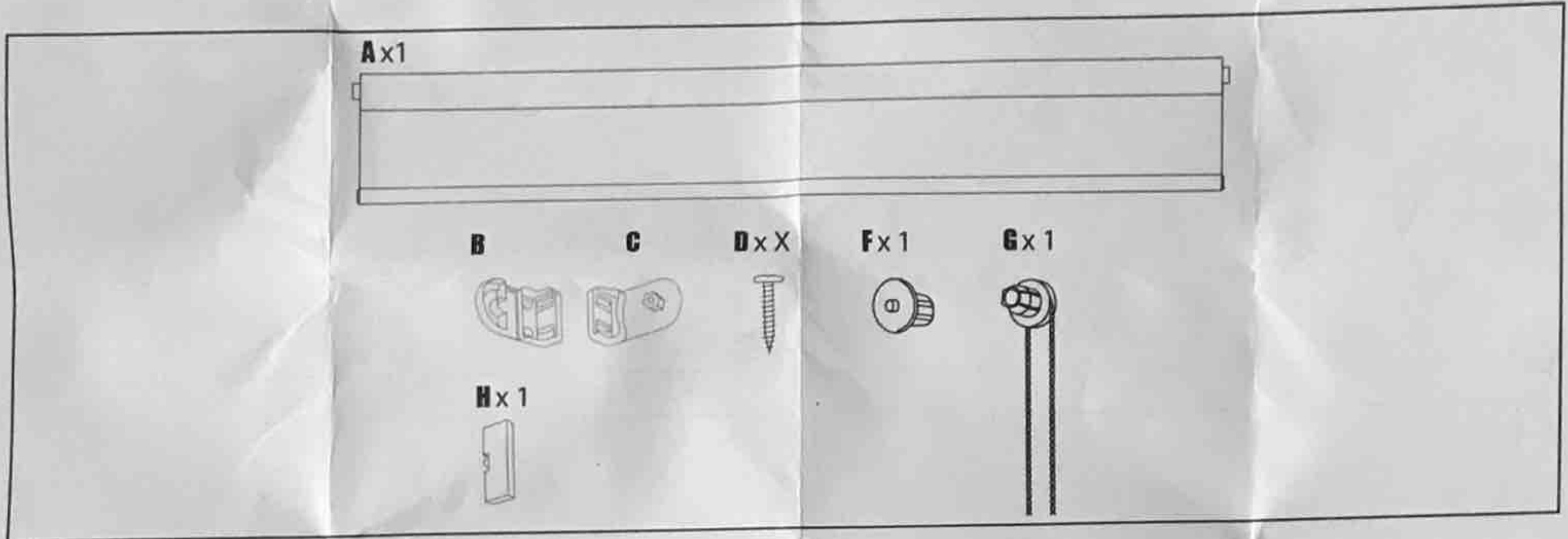
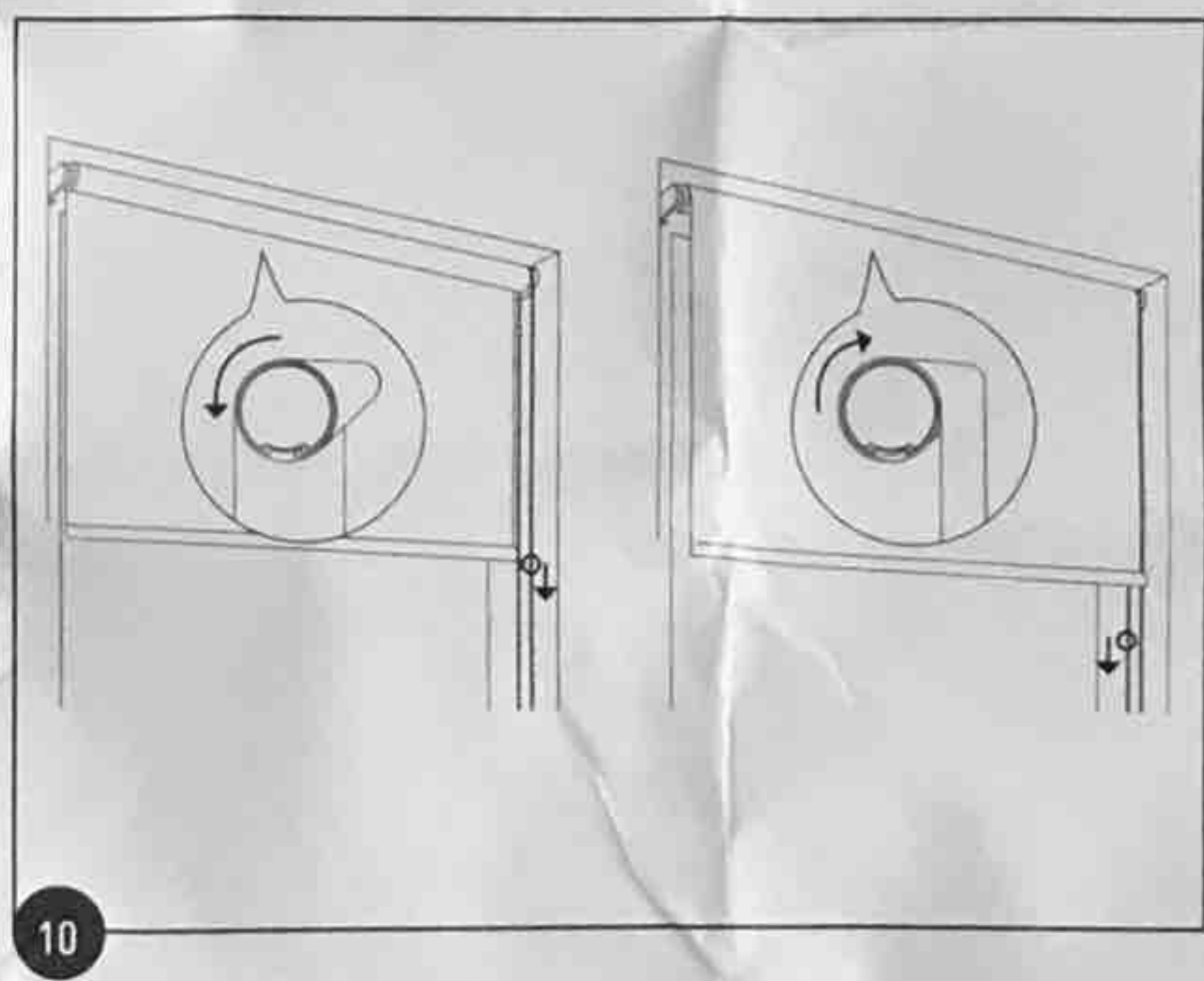
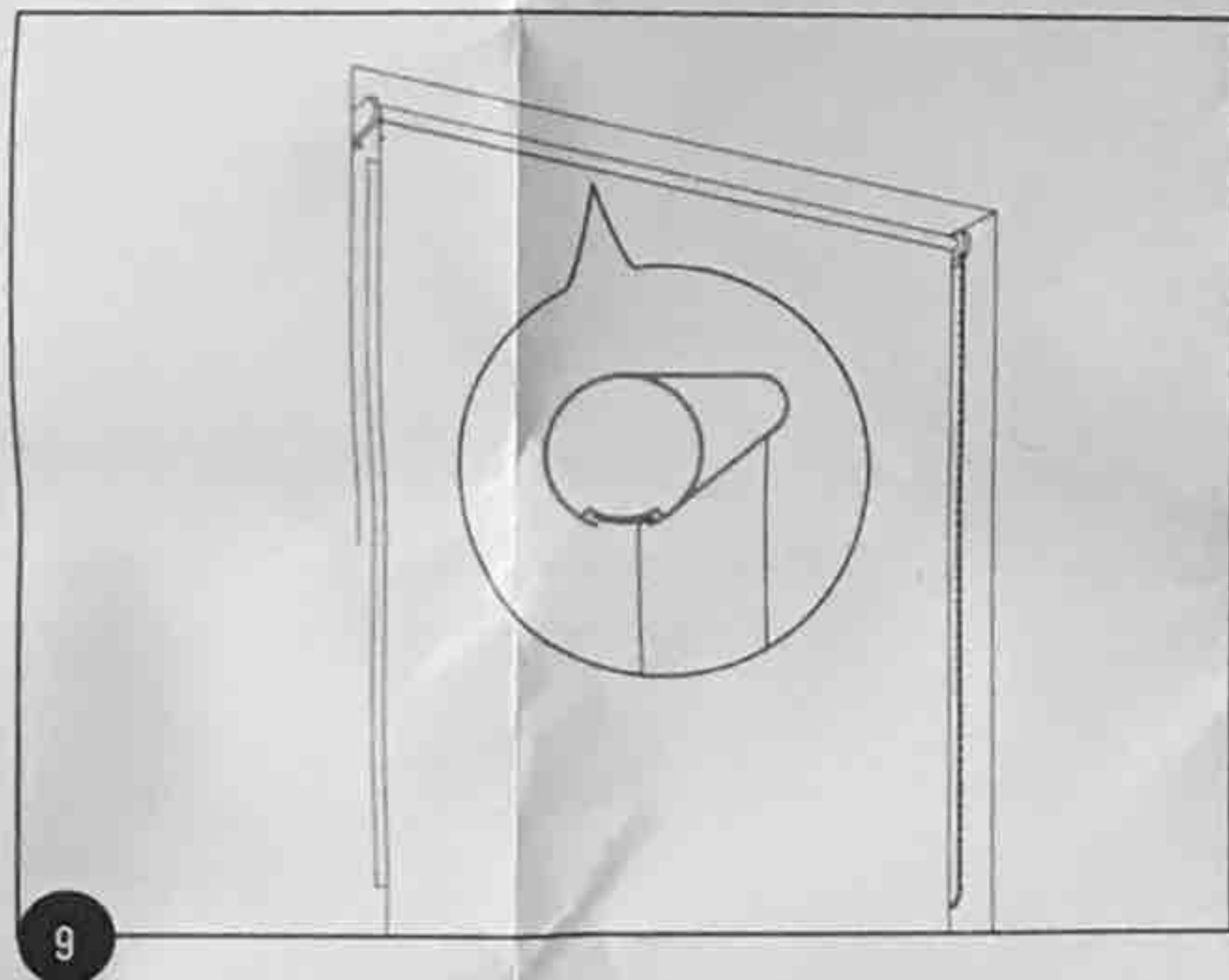
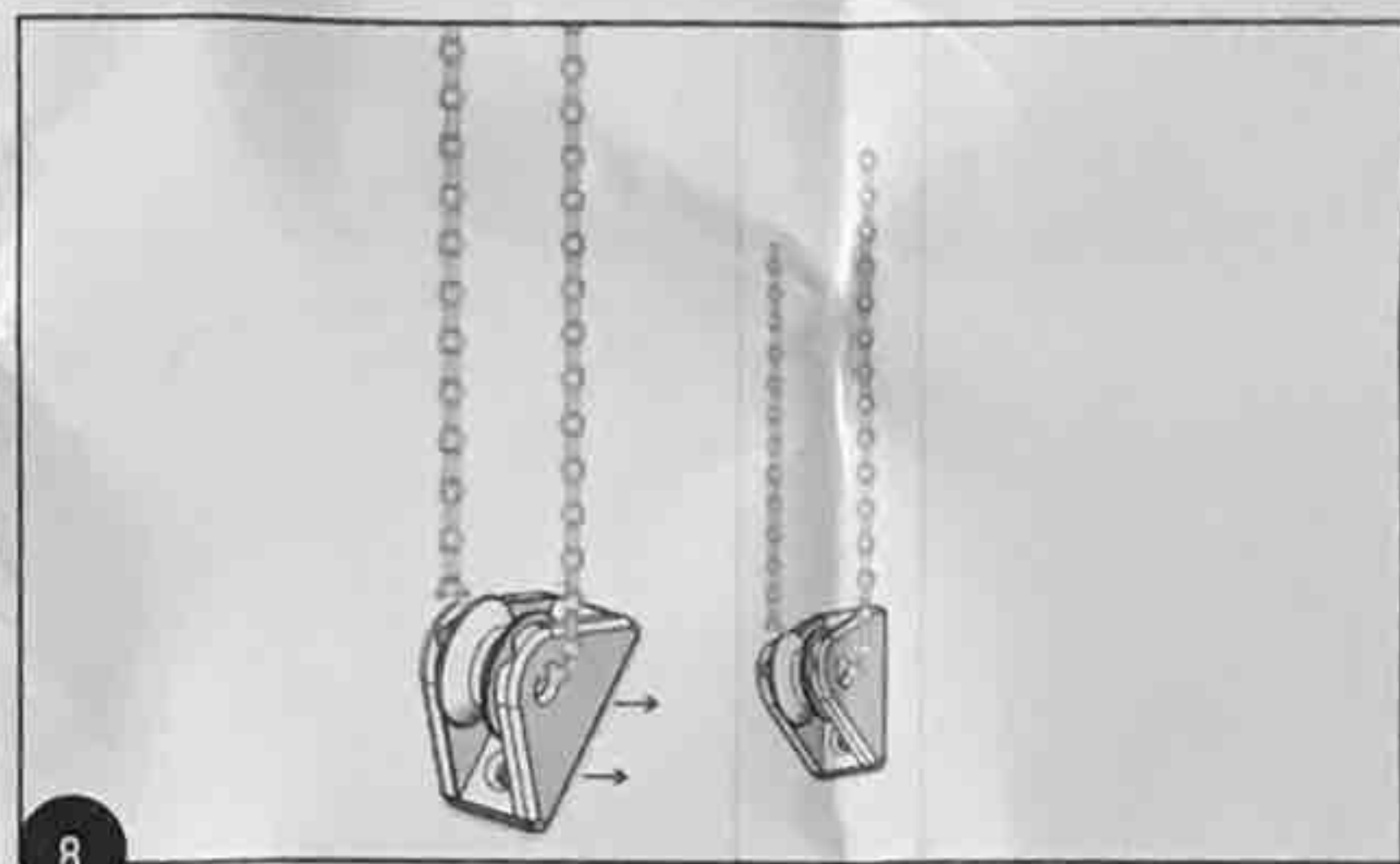
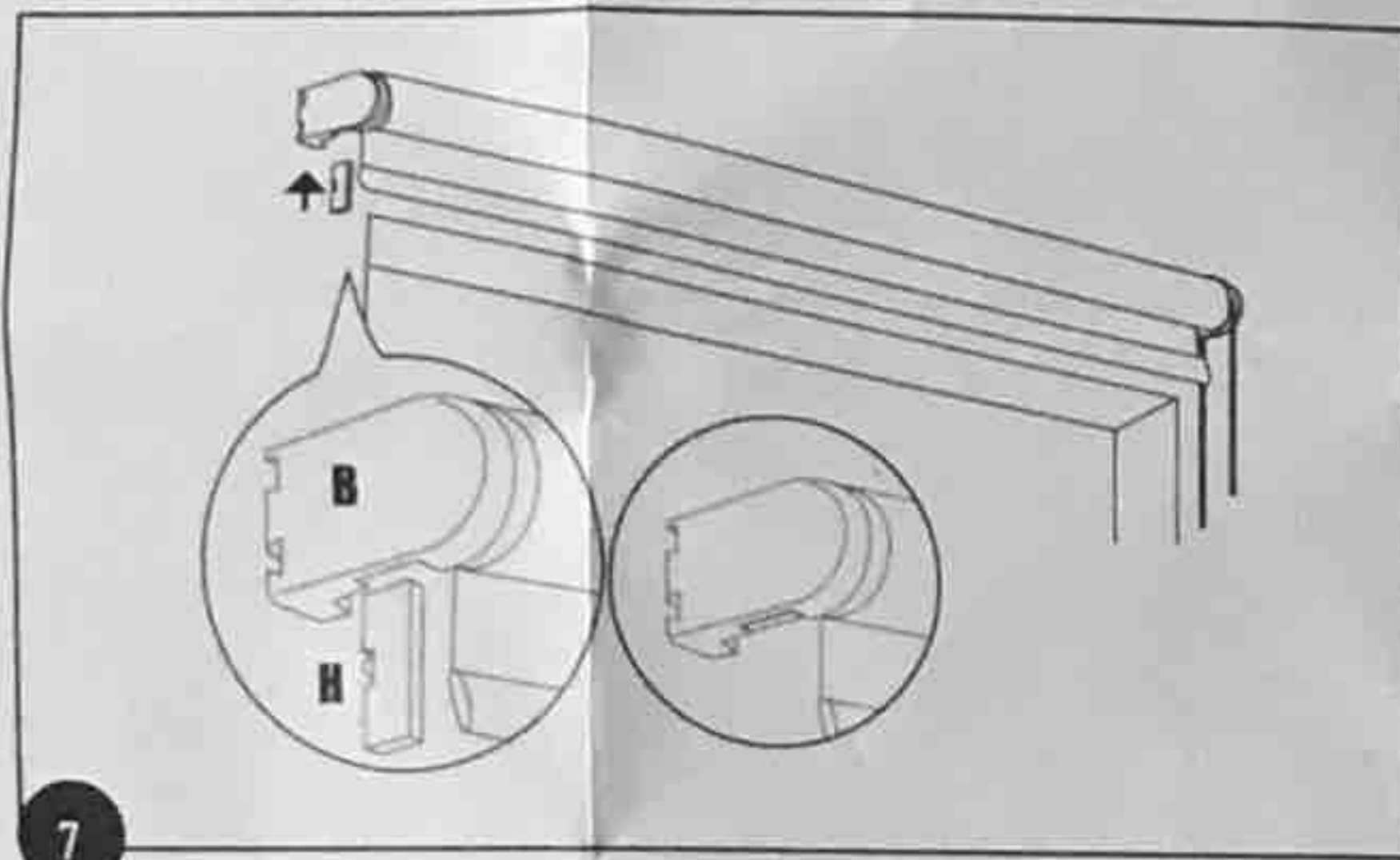
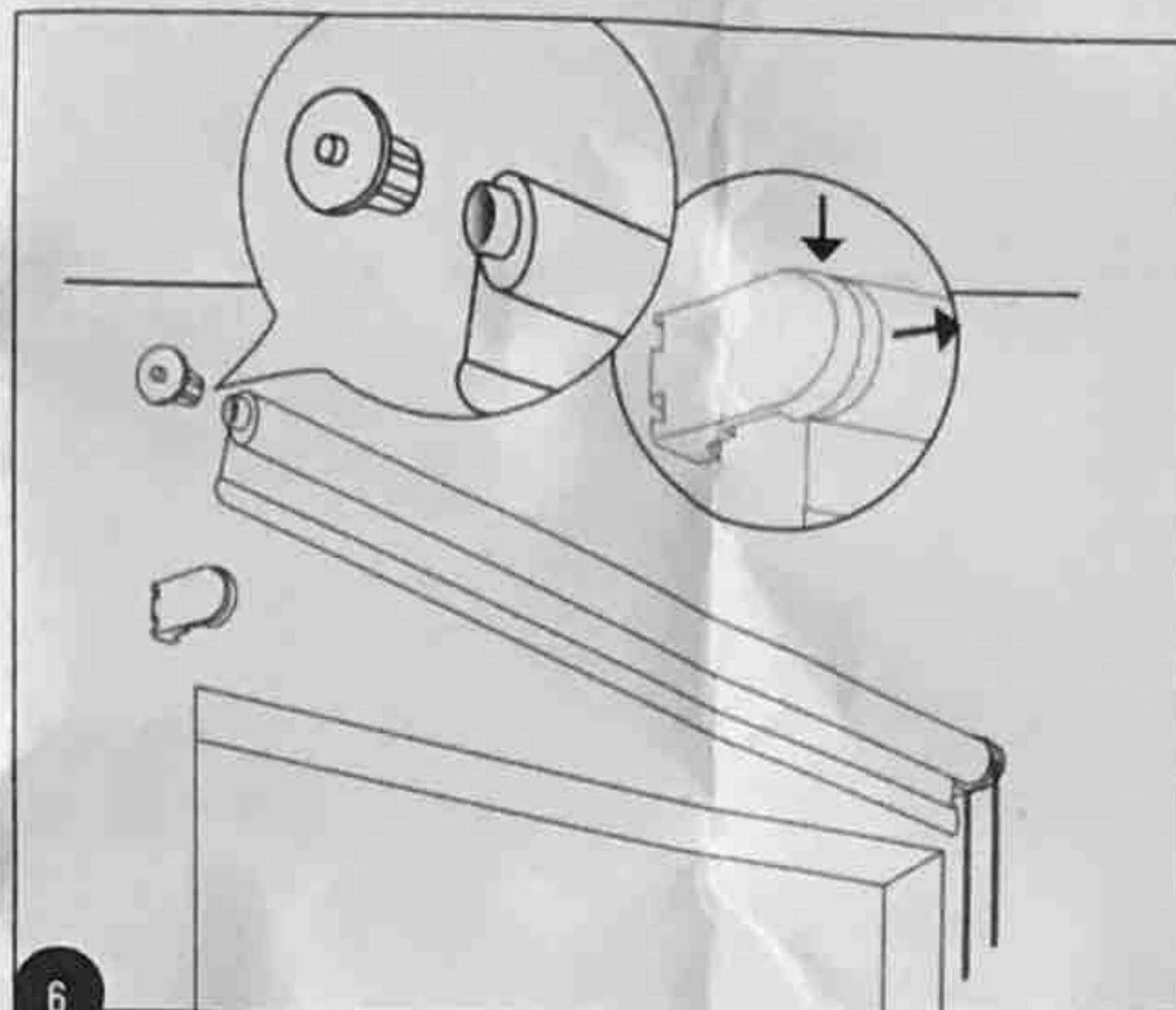
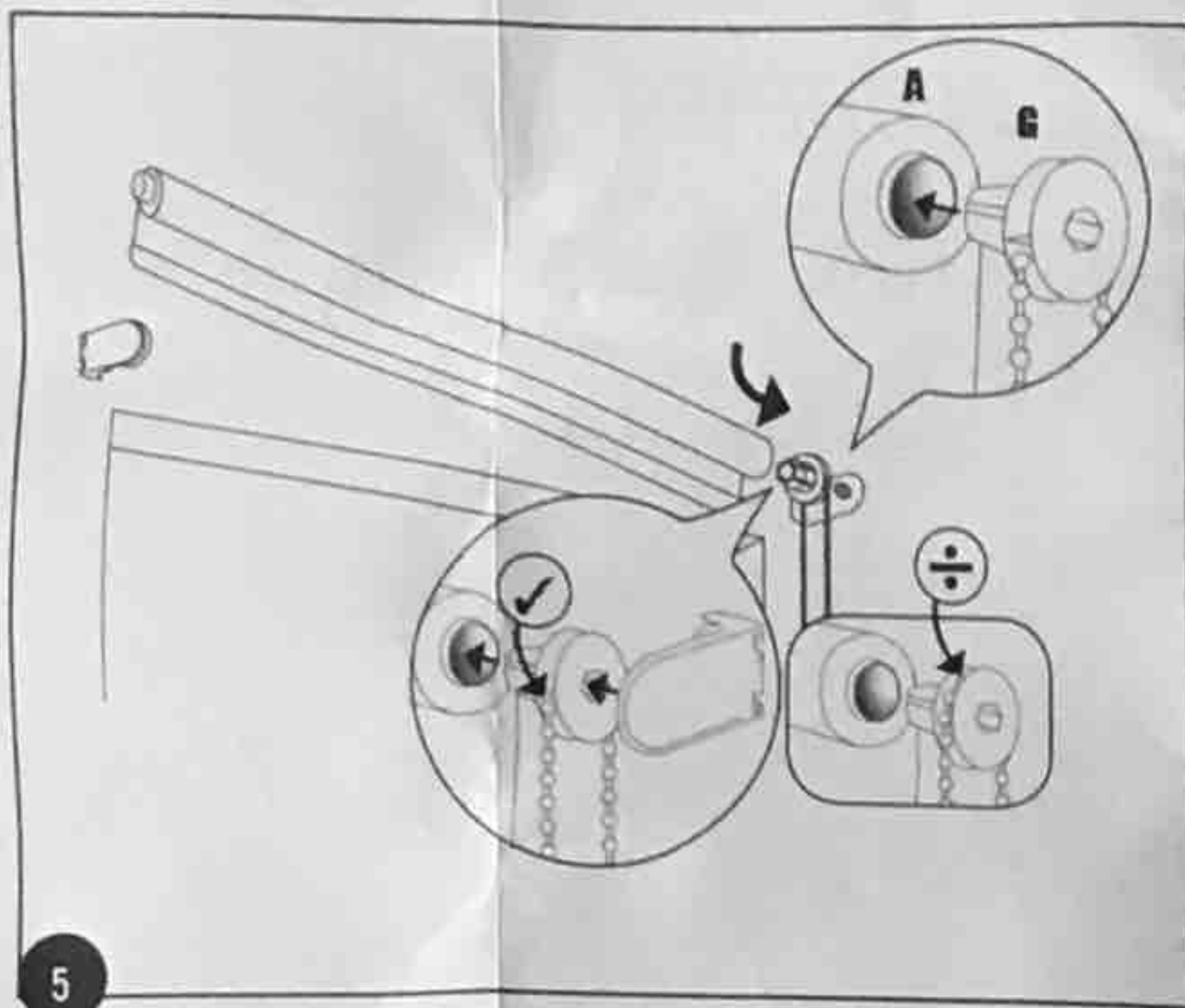


SECURITY DOOR BLIND INSTALLATION INSTRUCTIONS





WARNING

To avoid strangulation and entanglement, please ensure cord is out of the reach of young children. Cords may become wrapped around a child's neck. Please ensure beds, cots and furniture are far enough away from window covering cords. Do not tie cords together. Make sure cords do not twist and create a loop. EN13120.

Camec Pty Ltd
 47-63 Remington Drive, Dandenong South VIC 3175
 1300 422 632 WWW.CAMEC.COM
 Made in China